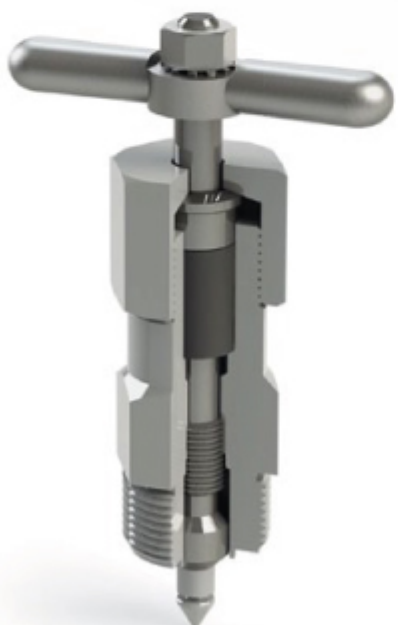


Bleed Types



Bleeder Bonnet



Bleeder Needle Bonnet



Bleeder Needle Flanged

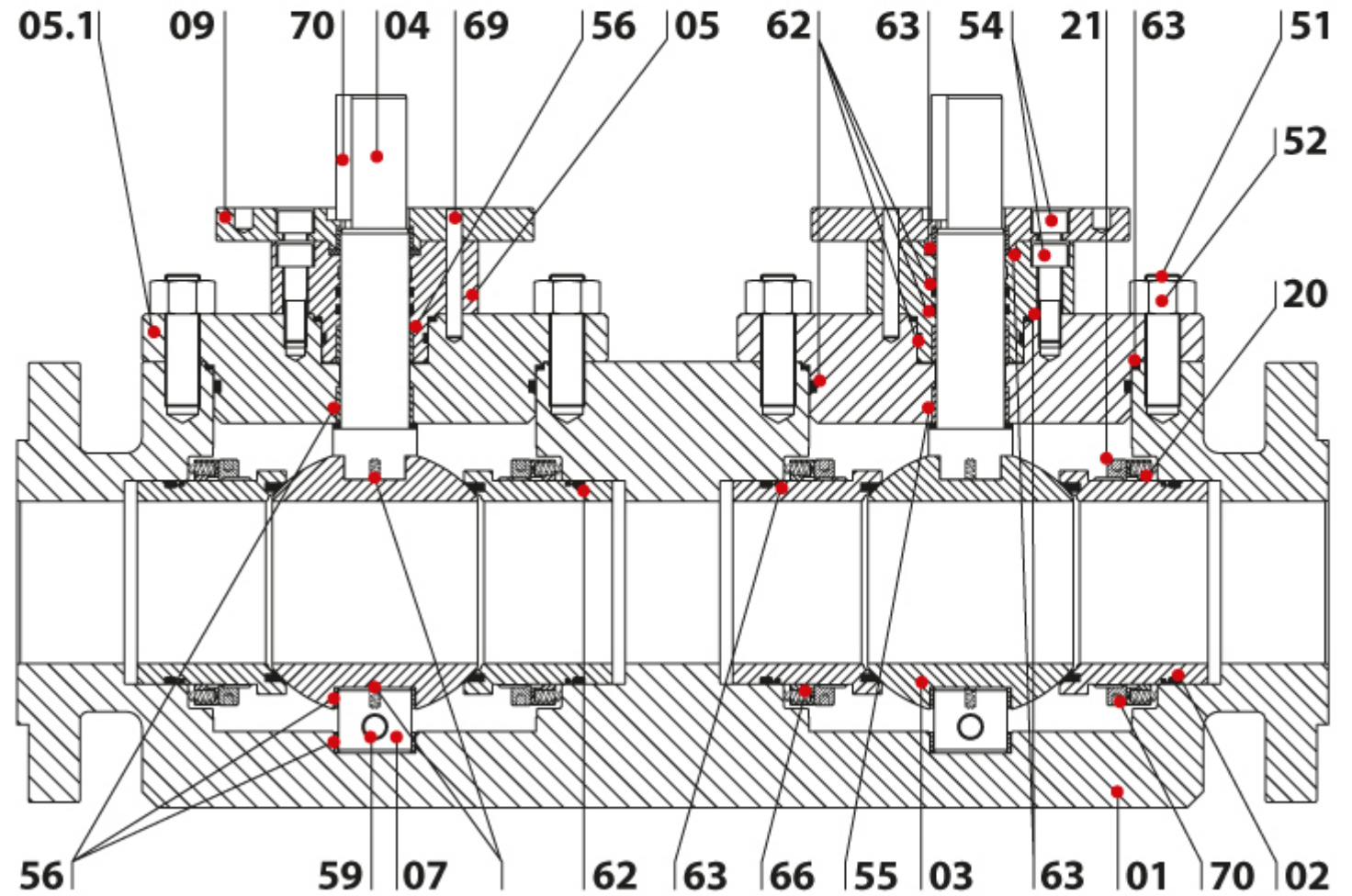


O. S. & Y Type Globe Valve

Double Block & Bleed

Main Features

- Bolted Bonnet - Cast Body/Forged Bonnet and Trim (forged body available on request).
- Soft / Metal Seated.
- Self Relieving or Double Piston Effect Seat Anti Blow-Out stem.
- Bleed Type (Needle or Globe valve).
- Fire safe API 6FA - API 607 ISO 14097.
- Antistatic device.
- Emergency sealant injection to stem & seat.
- Materials in accordance to NACE MR 01.75.
- Above ground installation
- Full In-Line Maintenance either with vertical and horizontal stem.



Valve Parts

Pos.	Description
01	Body
02	Seat / Insert
03	Ball
04	Stem
05	Stem cover
05.1	Body Cover
07	Trunnion
7B	Spacer Ring
09	Operator Flange
13	Lifting Lugs
20	Ring for Spring
51	Stud
52	Nut
54	Screw
55	Thrust Washer
56	Thrust Bearing
58	Plug
59	Bleeder
62	Seal
63	Gasket
66	Spring
69	Pin
70	Key

